

Special Application Carbonator Pump Single Phase Open Drip Proof (ODP) Split Phase



APPLICATIONS:

Designed end shield with extended hub and short slotted shaft for close coupling carbonator pump to motor.

FEATURES:

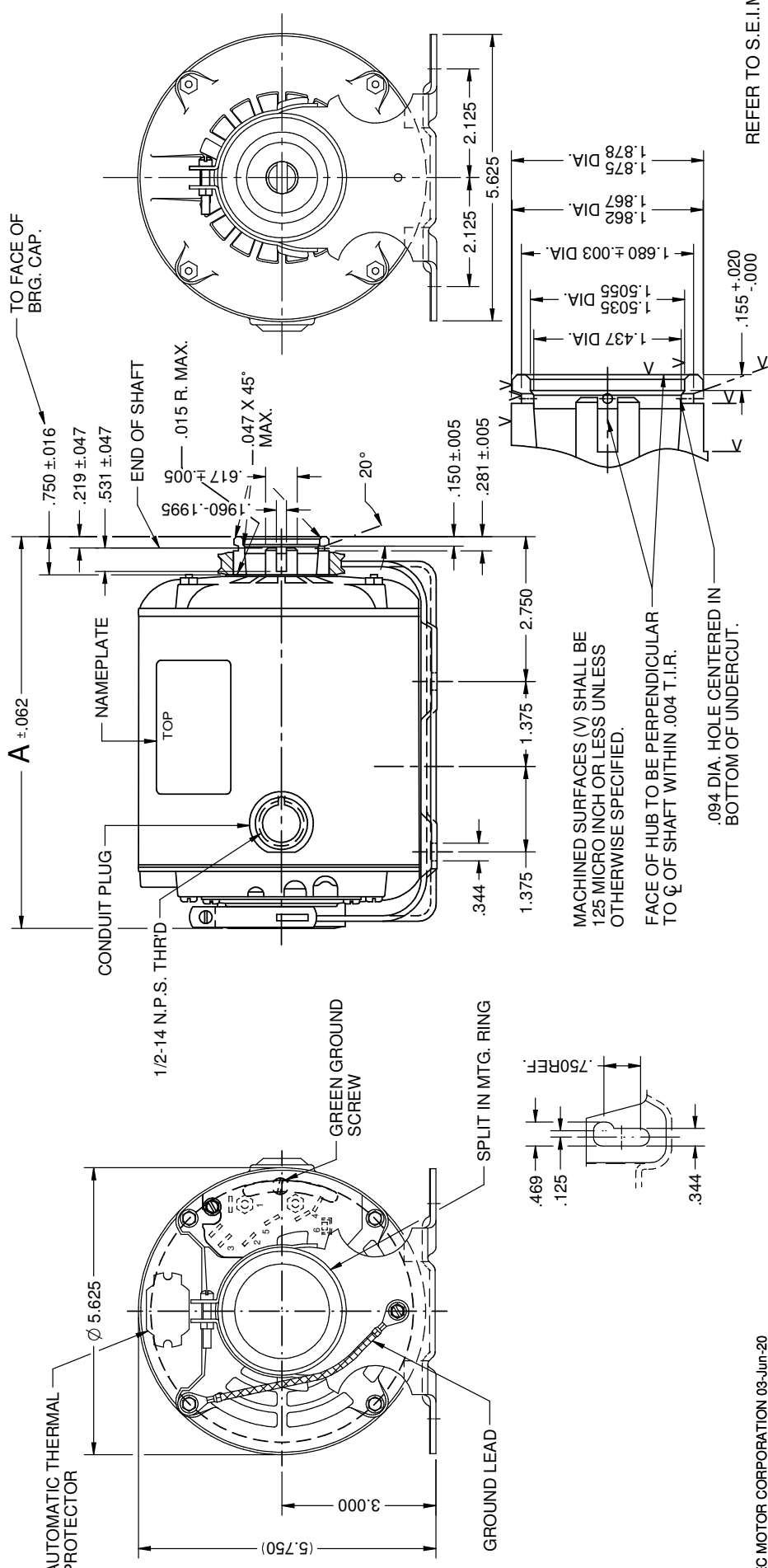
- For Carbonator Duty Only
- Reversible Rotation
- Automatic Reset Thermal Overload Protector
- Threaded Conduit Hub
- All Ball Bearing Construction
- Green Ground Lead
- Special Slotted Shaft

Resilient Base

HP	RPM	Voltage	Frame	Catalog Number	List	Discount Symbol	SF	"C" Dim. (inches)	Ship Wt. (lbs)	Full Load Amps	Notes
1/4	1800	100-120 & 200-240 V	48YZ	6001	\$202	DS-3FMP	1.00	7.7	15	4.5-4.7/2.2-2.4	61
	1800	115 V	48YZ	1004	\$145	DS-3FMP	1.00	7.7	15	5.0	61
1/3	1800	100-120 & 200-240 V	48YZ	6079	\$220	DS-3FMP	1.00	8.3	16	6.4-6.3/3.0-3.1	61
	1800	115 V	48YZ	1003	\$174	DS-3FMP	1.00	7.7	14	6.5	61
1/2	1800	115 V	48YZ	6080	\$189	DS-3FMP	1.00	8.7	16	8.4	24
	1800	120/240 V	48YZ	6078	\$265	DS-3FMP	1.00	8.7	17	7.5/3.6	61
3/4	1800	115/230 V	48YZ	872	\$310	DS-3FMP	1.00	9.7	25	10.0/4.9/9.8/4.9	61

Note 24 Automatic Reset Thermal Protector Overload
Note 61 Sleeve Bearings

VAR	MODEL	CUSTOMER	CAT. NO.	A	HP	VOLTS	SF	AMPS	HZ	RPM	PROTECTOR	ROTATION	DESCRIPTION/REMARKS
001	S55CXPNA-7672	WHOLESALE- FLUID SYSTEMS	872	9.690	3/4	115/230	1.0	10.0/4.9/9.8/4.9	50/60	1725/1425	AUTOMATIC	CCW LEAD END REV	S55, RES. MTD., BALL BRG., OPEN ALL ANGLE



REFER TO S.E.I.M. 24-1

NIDEC MOTOR CORPORATION 03-Jun-20		REVISION RECORD FOR: JC 74070	
NEW DRAWING.		TITLE: CUSTOMER DETAIL DRAWING	
ISSUED BY: O. CASTANEDA		ENGINEER APPROVED: J. MENDOZA	ITEM NO. 833214
TOLERANCES ON DIMENSIONS (UNLESS OTHERWISE SPECIFIED)		CODE V02	REV --
INCHES .XX ± .010		REVISION DATE: 03-JUN-20	
MILL .XXX ± .005		SHEET NUMBER 1 OF 4	
ANGLES: X _s ± 1°		DRAWING SIZE B	
INFORMATION DISCLOSED ON THIS DOCUMENT IS CONSIDERED PROPRIETARY AND SHALL NOT BE REPRODUCED OR DISCLOSED WITHOUT WRITTEN CONSENT OF NIDEC MOTOR CORPORATION			