


Qty.	Description
1	CM 1-7 A-S-I-E-AQQE B-A-A-N
	
	<p>Note! Product picture may differ from actual product</p>
	<p>Product No.: On request</p>
	<p>Compact, reliable, horizontal, multistage, end-suction centrifugal pump with axial suction port and radial discharge port. Pump materials in contact with the liquid are in stainless steel. The mechanical shaft seal is a special designed, unbalanced O-ring seal. Pipework connection is via internal NPT pipe threads.</p>
	<p>The pump is fitted with a 1-phase, foot-mounted, fan-cooled asynchronous motor.</p>
	<p>Controls: Frequency converter: NONE</p>
	<p>Liquid: Pumped liquid: Water Liquid temperature range: -20 .. 120 °C Selected liquid temperature: 20 °C Density: 998.2 kg/m³</p>
	<p>Technical: Pump speed on which pump data are based: 3480 rpm Rated flow: 2.04 m³/h Rated head: 63.47 m Code for shaft seal: AQQE Approvals: CE,CULUS,WRAS,ACS,CURUS,EAC Curve tolerance: ISO9906:2012 3B</p>
	<p>Materials: Pump housing: Stainless steel EN 1.4301 AISI 304 Impeller: Stainless steel EN 1.4301 AISI 304</p>
	<p>Installation: Range of ambient temperature: -20 .. 55 °C Maximum operating pressure: 16 bar Max pressure at stated temp: 16 bar / 90 °C 10 bar / 120 °C</p>
	<p>Type of connection: NPT(F) Size of inlet connection: 1 inch Size of outlet connection: 1 inch Outlet position: 12</p>
	<p>Electrical data: Motor standard: NEMA Frame size: 80BA Rated power - P2: 1.1 kW Mains frequency: 60 Hz Suitable for 50/60 Hz: N</p>



Company name:

Created by:

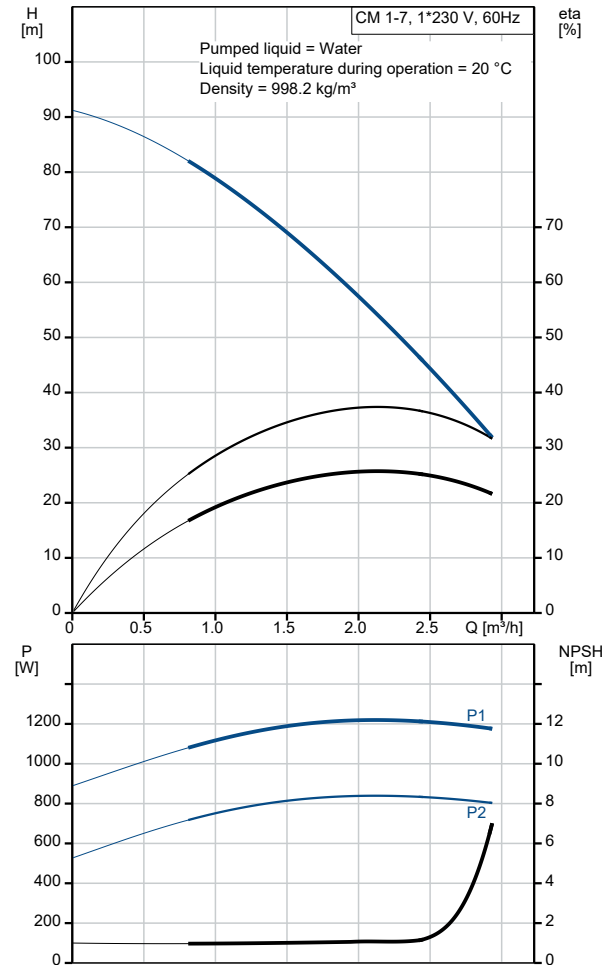
Phone:

Date:

01/12/2021

Qty.	Description
	Phases: 1
	Rated voltage: 115/230 V V
	Service factor: 1.00
	Rated current: 14.6/7.3 A
	Starting current: 320-320 %
	Rated speed: 3320 rpm
	Enclosure class (IEC 34-5): IP55
	Insulation class (IEC 85): F
	Built-in motor protection: NONE
	Cable included (Yes/No): N
	Others:
	Terminal box position: 12
	Minimum efficiency index, MEI \geq : 0.68
	Net weight: 16.3 kg
	Gross weight: 18.8 kg

Description	Value
General information:	
Product name:	CM 1-7 A-S-I-E-AQQE B-A-A-N
Product No:	On request
EAN number:	On request
Price:	
Technical:	
Pump speed on which pump data are based:	3480 rpm
Rated flow:	2.04 m ³ /h
Rated head:	63.47 m
Impellers:	7
Code for shaft seal:	AQQE
Approvals:	CE,CULUS,WRAS,ACS,CUR US,EAC
Curve tolerance:	ISO9906:2012 3B
Pump version:	A
Model:	A
Materials:	
Pump housing:	Stainless steel
Pump housing:	EN 1.4301
Pump housing:	AISI 304
Impeller:	Stainless steel
Impeller:	EN 1.4301
Impeller:	AISI 304
Material code:	I
Code for rubber:	E
Installation:	
Range of ambient temperature:	-20 .. 55 °C
Maximum operating pressure:	16 bar
Max pressure at stated temp:	16 bar / 90 °C
Max pressure at stated temp:	10 bar / 120 °C
Type of connection:	NPT(F)
Size of inlet connection:	1 inch
Size of outlet connection:	1 inch
Outlet position:	12
Connect code:	S
Liquid:	
Pumped liquid:	Water
Liquid temperature range:	-20 .. 120 °C
Selected liquid temperature:	20 °C
Density:	998.2 kg/m ³
Electrical data:	
Motor standard:	NEMA
Frame size:	80BA
Rated power - P2:	1.1 kW
Mains frequency:	60 Hz
Suitable for 50/60 Hz:	N
Phases:	1
Rated voltage:	115/230 V V
Service factor:	1.00
Rated current:	14.6/7.3 A
Starting current:	320-320 %
Rated speed:	3320 rpm
Enclosure class (IEC 34-5):	IP55
Insulation class (IEC 85):	F
Built-in motor protection:	NONE
Cable included (Yes/No):	N
Controls:	





Company name:

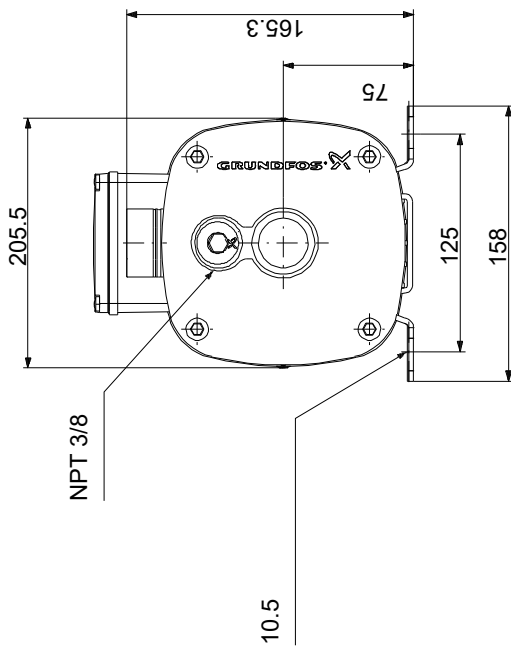
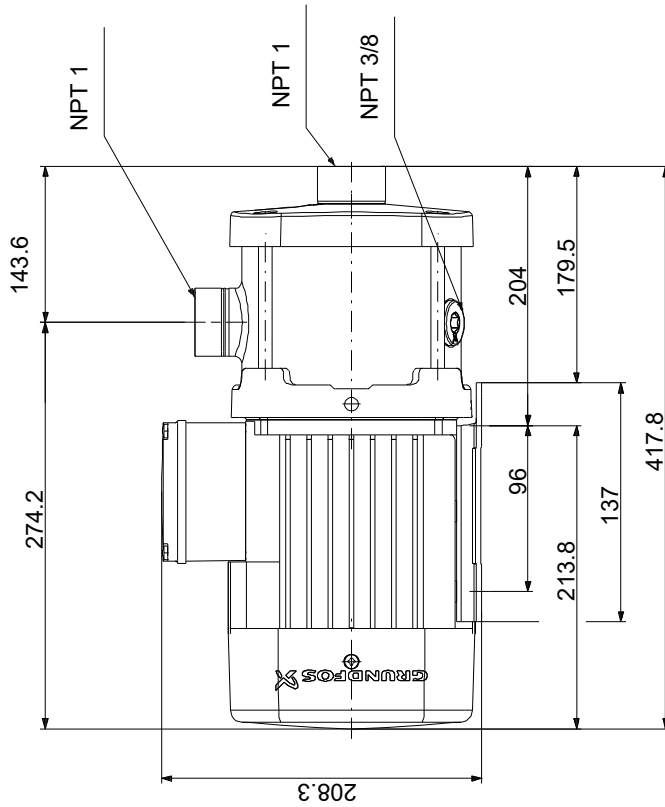
Created by:

Phone:

Date: 01/12/2021

Description	Value
Frequency converter:	NONE
Others:	
Terminal box position:	12
Minimum efficiency index, MEI ≥:	0.68
Net weight:	16.3 kg
Gross weight:	18.8 kg

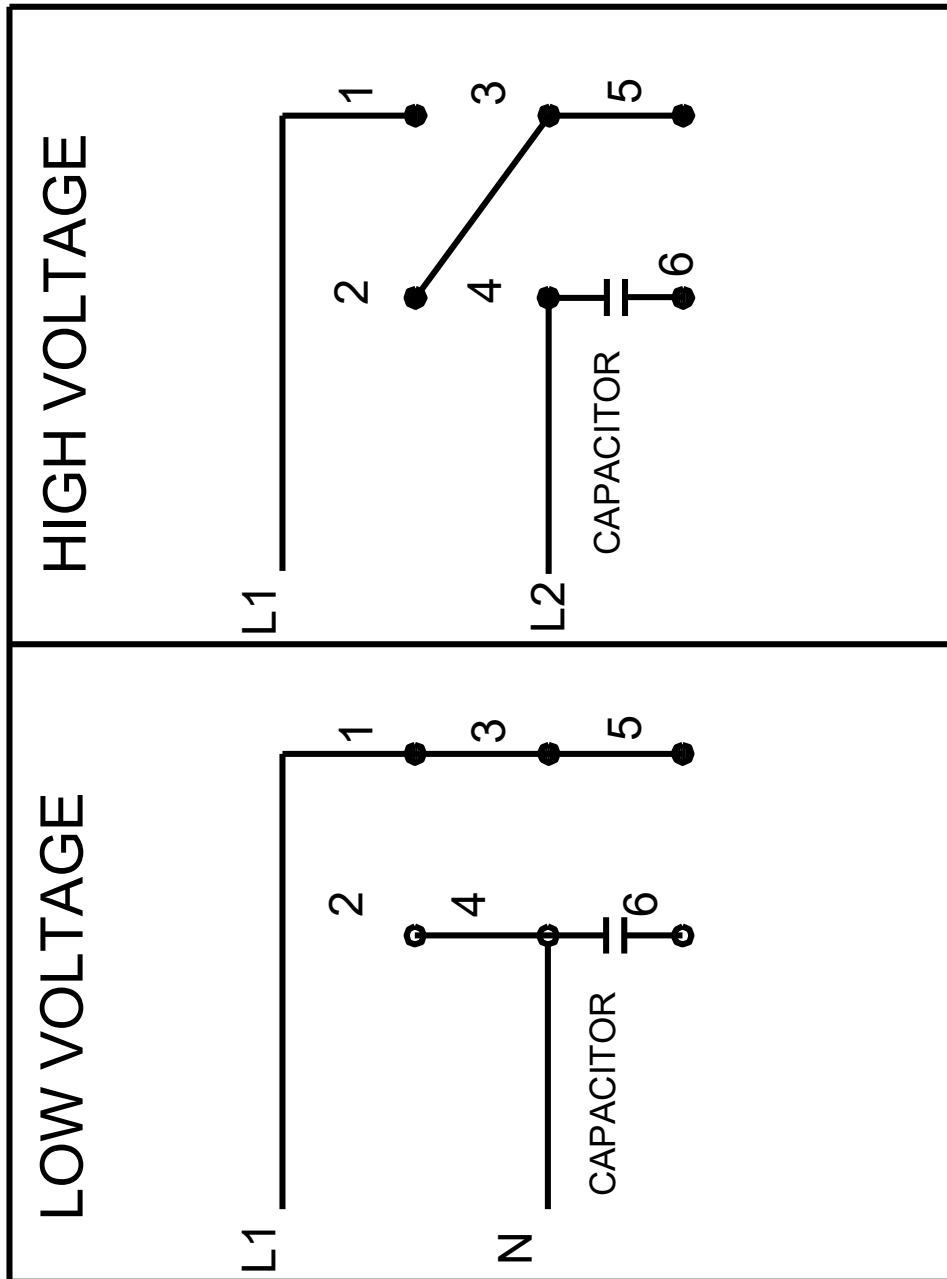
On request CM 1-7 A-S-I-E-AQQE B-A-A-N 60 Hz



Note! All units are in [mm] unless others are stated.
 Disclaimer: This simplified dimensional drawing does not show all details.

On request CM 1-7 A-S-I-E-AQQE B-A-A-N 60 Hz

SUITABLE FOR FIELD CONNECTION



Note! All units are in [mm] unless others are stated.