


Qty.	Description
1	<p data-bbox="199 338 550 365"><b>CM 1-3 A-S-I-E-AQQE B-A-A-N</b></p> <div data-bbox="236 439 534 607">  </div> <p data-bbox="592 629 1062 651" style="text-align: center;">Note! Product picture may differ from actual product</p> <p data-bbox="199 660 464 685">Product No.: <a href="#">97568197</a></p> <p data-bbox="199 719 1445 792">Compact, reliable, horizontal, multistage, end-suction centrifugal pump with axial suction port and radial discharge port. Pump materials in contact with the liquid are in stainless steel. The mechanical shaft seal is a special designed, unbalanced O-ring seal. Pipework connection is via internal NPT pipe threads.</p> <p data-bbox="199 804 1070 831">The pump is fitted with a 1-phase, foot-mounted, fan-cooled asynchronous motor.</p> <p data-bbox="199 864 300 889">Controls:</p> <p data-bbox="199 891 636 920">Frequency converter:                    NONE</p> <p data-bbox="199 954 276 978">Liquid:</p> <p data-bbox="199 981 632 1010">Pumped liquid:                            Water</p> <p data-bbox="199 1012 703 1041">Liquid temperature range:            -20 .. 120 °C</p> <p data-bbox="199 1043 628 1072">Selected liquid temperature:        20 °C</p> <p data-bbox="199 1075 695 1104">Density:                                      998.2 kg/m<sup>3</sup></p> <p data-bbox="199 1137 316 1162">Technical:</p> <p data-bbox="199 1164 818 1193">Pump speed on which pump data are based:    3480 rpm</p> <p data-bbox="199 1196 671 1225">Rated flow:                                 2.04 m<sup>3</sup>/h</p> <p data-bbox="199 1227 643 1256">Rated head:                                 27.1 m</p> <p data-bbox="199 1258 639 1288">Code for shaft seal:                        AQQE</p> <p data-bbox="199 1290 973 1319">Approvals:                                 CE,CULUS,WRAS,ACS,CURUS,EAC</p> <p data-bbox="199 1321 759 1350">Curve tolerance:                         ISO9906:2012 3B</p> <p data-bbox="199 1384 309 1408">Materials:</p> <p data-bbox="199 1411 724 1485">Pump housing:                                Stainless steel EN 1.4301 AISI 304</p> <p data-bbox="199 1487 724 1574">Impeller:                                      Stainless steel EN 1.4301 AISI 304</p> <p data-bbox="199 1608 325 1632">Installation:</p> <p data-bbox="199 1635 691 1664">Range of ambient temperature:        -20 .. 55 °C</p> <p data-bbox="199 1666 636 1695">Maximum operating pressure:         16 bar</p> <p data-bbox="199 1697 730 1756">Max pressure at stated temp:         16 bar / 90 °C 10 bar / 120 °C</p> <p data-bbox="199 1758 647 1787">Type of connection:                        NPT(F)</p> <p data-bbox="199 1789 632 1818">Size of inlet connection:                1 inch</p> <p data-bbox="199 1821 632 1850">Size of outlet connection:               1 inch</p> <p data-bbox="199 1852 595 1881">Outlet position:                             12</p> <p data-bbox="199 1915 363 1939">Electrical data:</p> <p data-bbox="199 1942 636 1971">Motor standard:                             NEMA</p> <p data-bbox="199 1973 628 2002">Frame size:                                 71BA</p> <p data-bbox="199 2004 643 2033">Rated power - P2:                         0.6 kW</p> <p data-bbox="199 2036 632 2065">Mains frequency:                         60 Hz</p> <p data-bbox="199 2067 584 2096">Suitable for 50/60 Hz:                     N</p>



Company name:

Created by:

Phone:

Date:

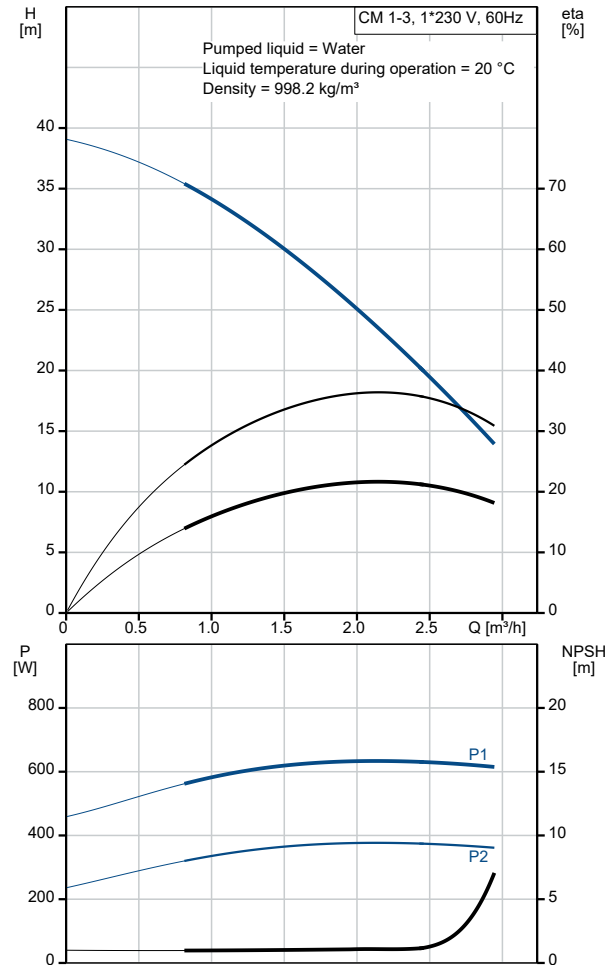
01/12/2021

Qty.	Description
------	-------------

Phases:	1
Rated voltage:	115/230 V V
Service factor:	1.00
Rated current:	7.6/3.9 A
Starting current:	260-260 %
Rated speed:	3240 rpm
Enclosure class (IEC 34-5):	IP55
Insulation class (IEC 85):	F
Built-in motor protection:	NONE
Cable included (Yes/No):	N

Others:	
Terminal box position:	12
Minimum efficiency index, MEI $\geq$ :	0.68
Net weight:	12.4 kg
Gross weight:	14.9 kg

Description	Value
<b>General information:</b>	
Product name:	CM 1-3 A-S-I-E-AQQE B-A-A-N
Product No:	97568197
EAN number:	5700318667586
Price:	
<b>Technical:</b>	
Pump speed on which pump data are based:	3480 rpm
Rated flow:	2.04 m <sup>3</sup> /h
Rated head:	27.1 m
Impellers:	3
Code for shaft seal:	AQQE
Approvals:	CE,CULUS,WRAS,ACS,CUR US,EAC
Curve tolerance:	ISO9906:2012 3B
Pump version:	A
Model:	A
<b>Materials:</b>	
Pump housing:	Stainless steel
Pump housing:	EN 1.4301
Pump housing:	AISI 304
Impeller:	Stainless steel
Impeller:	EN 1.4301
Impeller:	AISI 304
Material code:	I
Code for rubber:	E
<b>Installation:</b>	
Range of ambient temperature:	-20 .. 55 °C
Maximum operating pressure:	16 bar
Max pressure at stated temp:	16 bar / 90 °C
Max pressure at stated temp:	10 bar / 120 °C
Type of connection:	NPT(F)
Size of inlet connection:	1 inch
Size of outlet connection:	1 inch
Outlet position:	12
Connect code:	S
<b>Liquid:</b>	
Pumped liquid:	Water
Liquid temperature range:	-20 .. 120 °C
Selected liquid temperature:	20 °C
Density:	998.2 kg/m <sup>3</sup>
<b>Electrical data:</b>	
Motor standard:	NEMA
Frame size:	71BA
Rated power - P2:	0.6 kW
Mains frequency:	60 Hz
Suitable for 50/60 Hz:	N
Phases:	1
Rated voltage:	115/230 V V
Service factor:	1.00
Rated current:	7.6/3.9 A
Starting current:	260-260 %
Rated speed:	3240 rpm
Enclosure class (IEC 34-5):	IP55
Insulation class (IEC 85):	F
Built-in motor protection:	NONE
Cable included (Yes/No):	N
<b>Controls:</b>	





Company name:

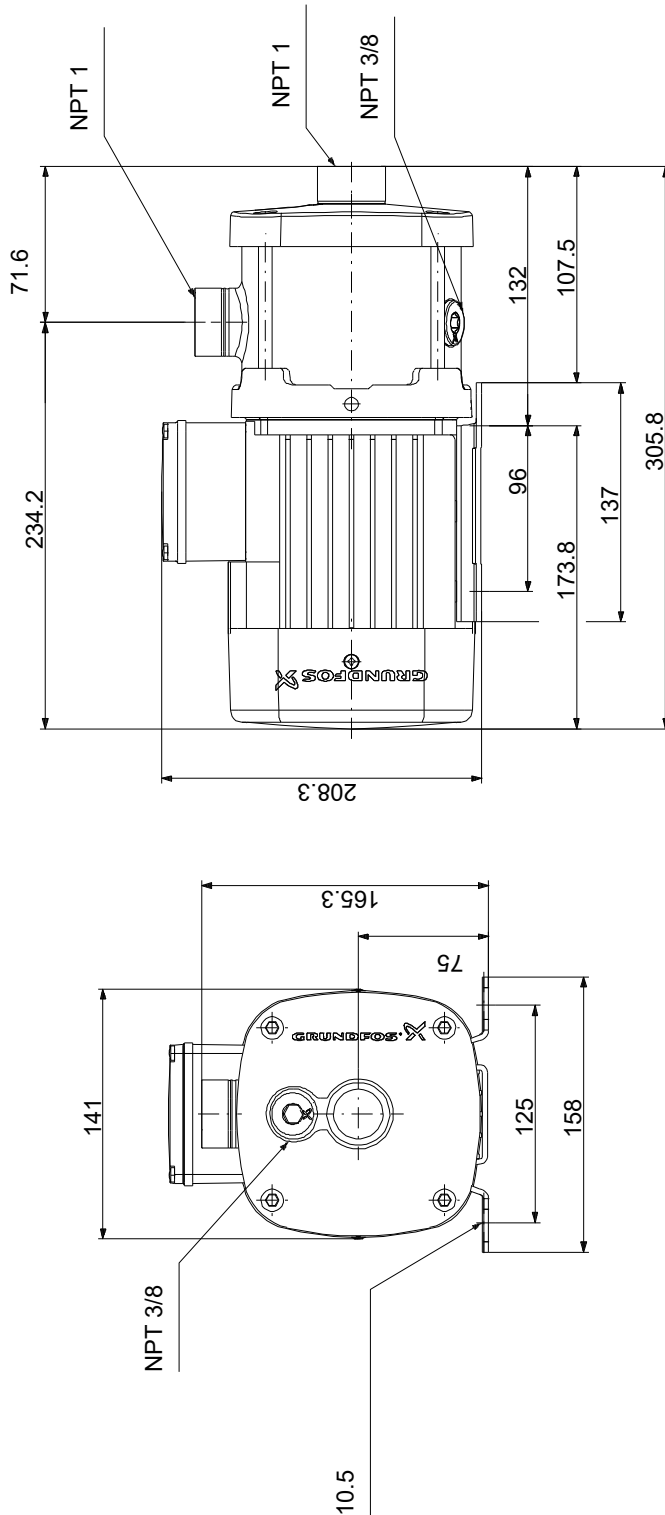
Created by:

Phone:

Date: 01/12/2021

Description	Value
Frequency converter:	NONE
<b>Others:</b>	
Terminal box position:	12
Minimum efficiency index, MEI ≥:	0.68
Net weight:	12.4 kg
Gross weight:	14.9 kg

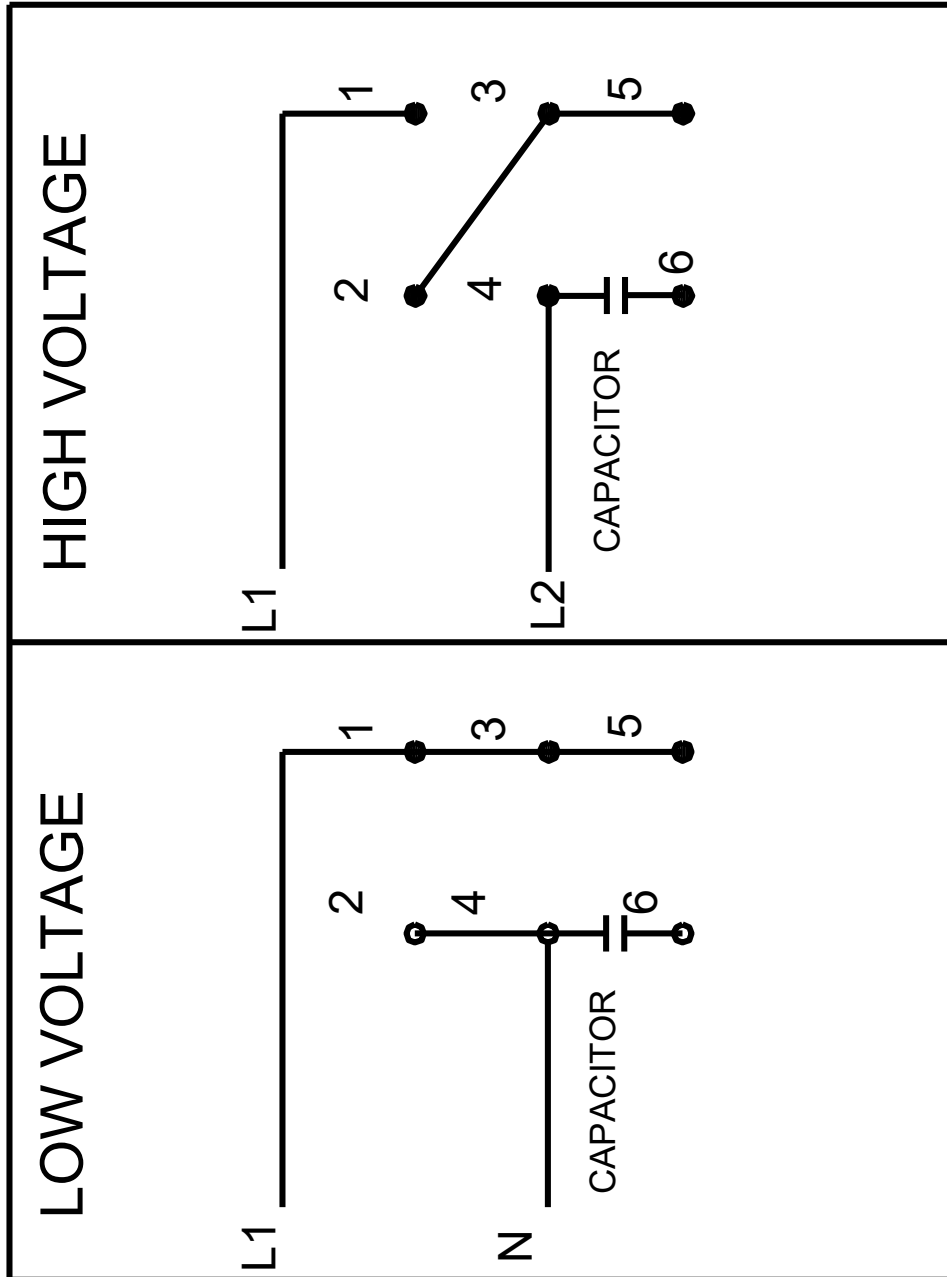
## 97568197 CM 1-3 A-S-I-E-AQQE B-A-A-N 60 Hz



Note! All units are in [mm] unless others are stated.  
 Disclaimer: This simplified dimensional drawing does not show all details.

## 97568197 CM 1-3 A-S-I-E-AQQE B-A-A-N 60 Hz

### SUITABLE FOR FIELD CONNECTION



Note! All units are in [mm] unless others are stated.