

GF – Series Cartridge Housings

AXEON by Pall GF – Series Cartridge Housings are constructed from lightweight polypropylene, and include a UV inhibitor for all weather durability. **AXEON by Pall GF – Series Cartridge Housings** are customizable for various applications and are resistant to various chemicals. The threaded lid allows for sealing and unsealing without the need of other tools.

Benefits

- No Sump Disassembly
- Lightweight, Chemically Resistant
- Bag Filter Design
- No Fluid By-Pass
- Easy Access for Manual Cleaning or In-Place Flushing
- Meets Certification Requirements

Features

- 100% Polypropylene Construction
- Twist-Off Lid Design Requires No Tools for Quick and Easy Change-Out
- Clean Wall Design Provides Easy Access for Manual Cleaning or In-Place Flushing
- Hermetic Sealing Bag Filters Result in No Fluid By-Pass
- UV Inhibitor for Long-Lasting, All-Weather Operation and Durability
- Filtration Media Available in 1 – 50 Micron Ratings
- Side Inlet / Bottom Outlet Eliminates Sump to Reduce Waste
- BGF1 Bag Compliant

Options

- Plastic Legs

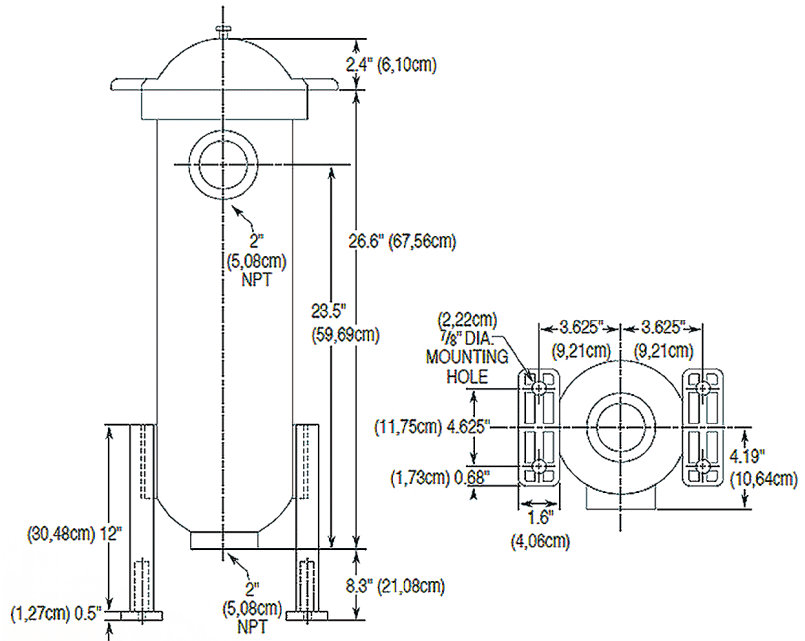
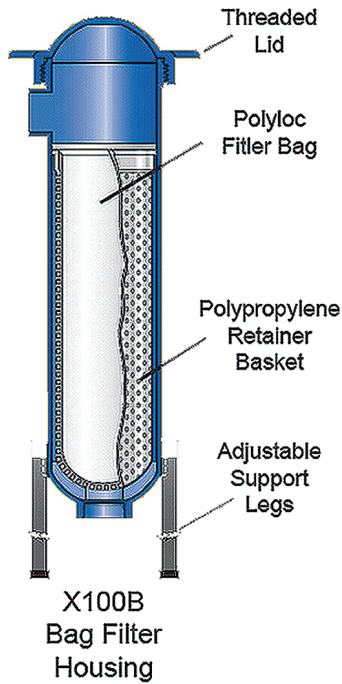


GF – Series Cartridge Housings

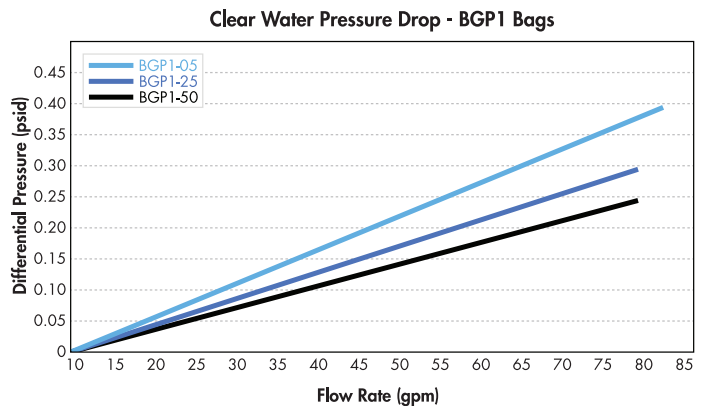
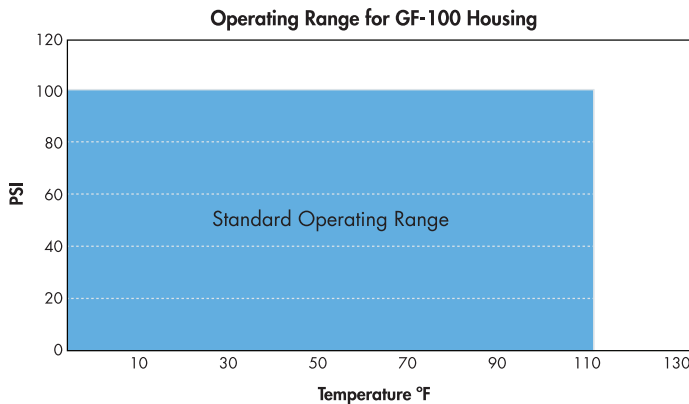
* Picture Shown with Optional Plastic Legs

Know Higher Standards™

AXEON GF – Series Cartridge Filter Housings



* Shown with optional plastic legs.



Product Specifications			
Part Number	Model Number	Description	Includes
200739	GF – 100	Plastic Bag Vessel	Housing, Lid, Basket, Lid Gasket (BUNA)
200740	36017	Pair Plastic Legs	2 Plastic Legs

Pressure Rating: 100 PSI @ 110°F Water Service. Approximate Weight: 10 lbs. Port Size: 2" NPT Threads available. Lid Vent: 1/4" NPT.

